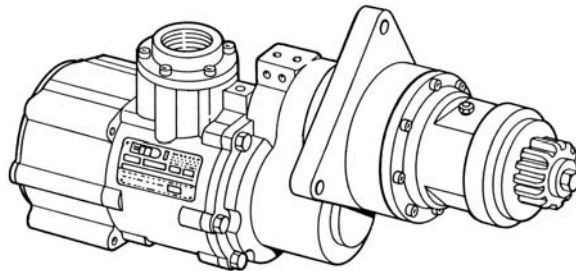


ILLUSTRATED PARTS BREAKDOWN



T100-DP **TURBOTWIN** Engine Air Starter



IMPORTANT NOTE

The purpose of this illustrated parts breakdown is to provide part number identification of the various components of the listed starters. Only those parts which may be disassembled at the field or repair shop level are broken out and identified. Certain parts or components are "factory only" assemblies, and should not be disassembled below the level shown in this document. Do not disassemble or reassemble the starter without referring to the proper TDI TURBOTWIN service manual. The use of improper procedures, non-authorized replacement parts or incorrect tools, may result in a faulty operating starter which could affect its performance or create a hazardous condition.

ILLUSTRATED PARTS LIST

FOR
MODEL: T100-DP **TURBOTWIN** AIR STARTERS

KEY NO.	DESCRIPTION	PART NUMBER	OVERHAUL KIT P/N: T100-28885
1	Screw (6)	74F- 37516-024	x
2	3" Pipe Weld Flange	2-27740	
3	O-Ring	9-90001-046	x
4	Exhaust Elbow	2-27738	
5	Screws (6)	11F- 25020-064	x
6	Pipe Plug	9-93501-003	
7	Screws (4)	71F-37516-016	x
8	O-Ring	9-90001-050	x
9	Screw	19F- 25028-012	x
10	Washer	9-93047	
11	Rotor 2 (See Note)	2-26604	
12	Woodruff Key	9-90211-006	
13	Bearing Spacer	9-93091-005	x
14	Bearing (2)	9-91224	x
15	O-ring (1)	9-90001-027	x
16	Wave Spring Washer	9-90439	x
17	Screw (4)	11A-37516-008	
18	Nozzle 2, R.H. (See Note)	2-27825-00R	
18	Nozzle 2, L.H. (See Note)	2-27825-00L	
19	O-ring (2)	9-90001-050	x
20	Seal Spacer (2)	9-93083-001	x

TDI TURBOTWIN™

FROM TECH DEVELOPMENT

KEY NO.	DESCRIPTION	PART NUMBER	OVERHAUL KIT P/N: T100-28885
21	Lip Seal (2)	2-26719	X
22	Rotor 1 (See Note)	2-26603	
23	Woodruff Key	9-90211-009	
24	Screw (8)	14F-19024-008	X
25	Nozzle 1, R.H., 9 Nozzles (See Note)	2-26718-09R	
25	Nozzle 1, L.H., 9 Nozzles (See Note)	2-26718-09L	
25	Nozzle 1, R.H., 12 Nozzles (See Note)	2-26718-12R	
25	Nozzle 1, L.H., 12 Nozzles (See Note)	2-26718-12L	
25	Nozzle 1, R.H., 15 Nozzles (See Note)	2-26718-15R	
25	Nozzle 1, L.H., 15 Nozzles (See Note)	2-26718-15L	
25	Nozzle 1, R.H., 21 Nozzles (See Note)	2-26718-21R	
25	Nozzle 1, L.H., 21 Nozzles (See Note)	2-26718-21L	
26	Pipe Plug	9-93556-004	
27	O-ring	9-90001-034	X
28	Screw (6)	14F-31218-016	X
29	Inlet Flange	1-18967	
30	O-ring	9-90001-037	X
31	Turbine Housing	2-27869	
32	Pipe Plug	9-93501-004	
33	O-Ring	9-90001-050	X
34	Ring Gear	2-27870	
35	Bearing Spacer	9-93091-001	
36	Clamping Plate	2-26750	
37	Turbine Shaft	2-27238	
38	Retainer Ring (3)	9-92001-001	
39	Carrier Shaft (9:1)	2-27798-001	

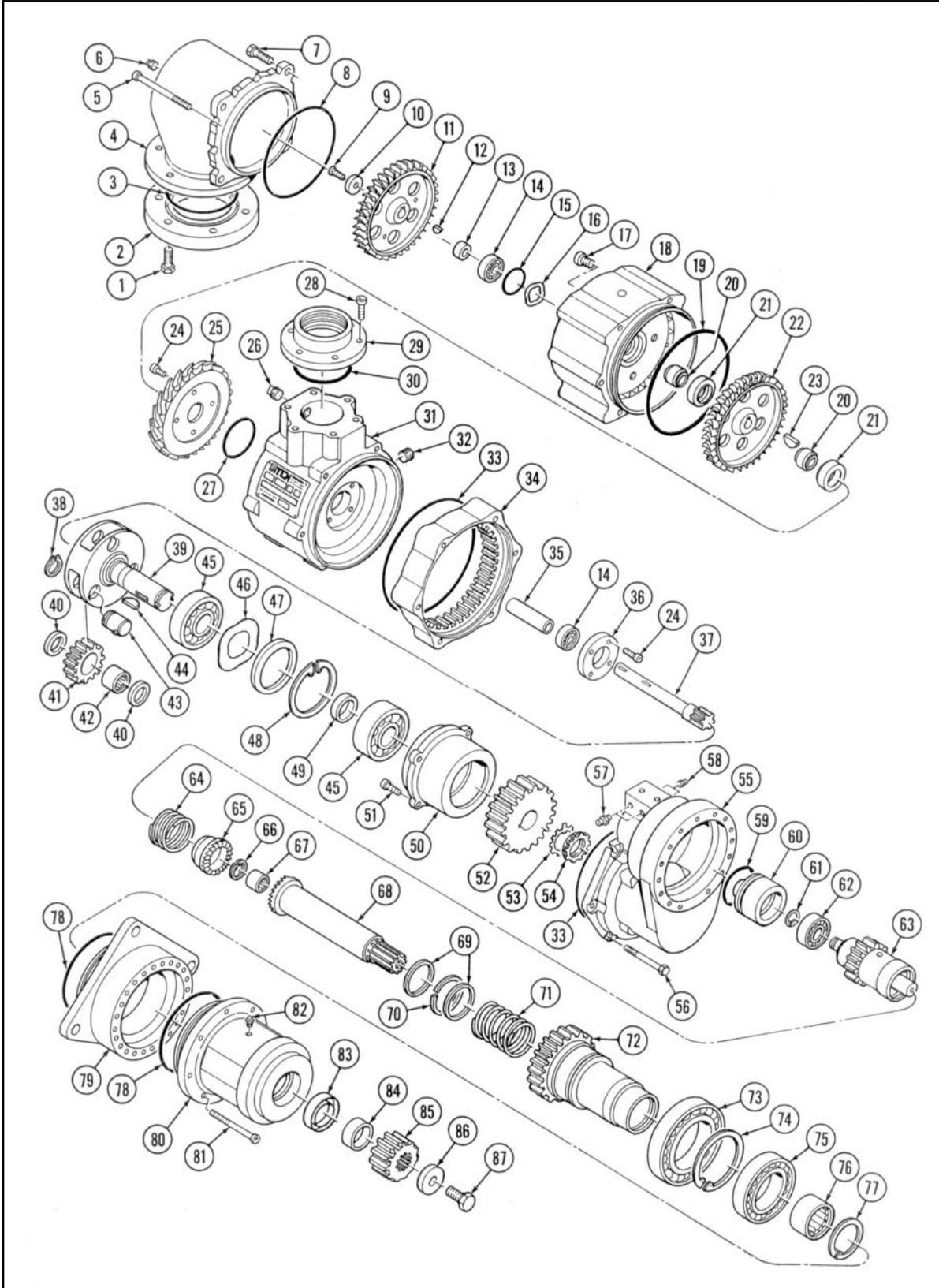
KEY NO.	DESCRIPTION	PART NUMBER	OVERHAUL KIT P/N: T100-28885
40	Spacer, Gear (6)	9-93004	
41	Planet Gear (3)	1-18779	
42	Needle Bearing (3)	9-91004-001	X
43	Planet Shaft (3)	2P-20182	
44	Woodruff Key	9-90227-025	
45	Bearing (2)	9-91003	X
46	Wave Spring Washer (4)	9-90402-025	
47	Spring Retaining Plate	2-27731	
48	Retaining Ring	9-92001-033	
49	Bearing Spacer	9-93007-003	
50	Housing, Bearing	2-27726	
51	Screw (4)	14F-25020-012	X
52	Gear, Spur	2-27712	
53	Lockwasher, Bearing	9-93061-007	
54	Locknut, Bearing	9-92127-007	
55	Housing, Gearbox	2-27728-002	
56	Screw (6)	71F-25020-36	X
57	Fitting, Filter	2-28270	
58	Plug, Pipe (2)	9-93556-004	
59	O-Ring, Piston	9-90001-327	
60	Piston	2-27921	
61	Retainer Ring	9-92001-041	
62	Bearing	9-91254	X
63	Spline, Helical Shaft, R.H. (See Note 1)	2-27977-00R	
63	Spline, Helical Shaft, L.H. (See Note 1)	2-27977-00L	

TDI TURBOTWIN™

FROM TECH DEVELOPMENT

KEY NO.	DESCRIPTION	PART NUMBER	OVERHAUL KIT P/N: T100-28885
64	Spring, Compression	9-90444	
65	Clutch, Helical, R.H.	2-27713	
65	Clutch, Helical, L.H.	2-27716	
66	Ring, Retainer	9-92001-037	
67	Bearing, Needle Roller	9-91409	X
68	Shaft, Drive Pinion R.H.	2-28690-001	
68	Shaft, Drive Pinion L.H.	2-28690-002	
69	Washer, Thrust (2)	9-93120	X
70	Ring, Retainer	2-28051	X
71	Spring, Compression	9-90447	
72	Gearshaft, Spur	2-27711	
73	Bearing, Ball	9-91431	X
74	Ring, Retaining	9-92001-036	
75	Bearing, Ball	9-91434	X
76	Bearing, Needle Roller	9-91435	X
77	Ring, Retainer	9-92001-042	
78	O-Ring (2)	9-90001-158	X
79	Drive Housing	2-28693	
80	Housing	2-28692	
81	Screw	11F-25020-052	X
82	Fitting, Vent	9-93662-012	
83	Seal, Lip	2-22084	X
84	Spacer, Pinion	2-28178	
85	Pinion, R.H./L.H., 6/8P, 15T	2-28568	
86	Washer, Pinion	9-93124	X
87	Screw	71F-50020-016	X

Note: The rotation of the turbine assembly is opposite from the pinion rotation, therefore the rotors and nozzles must be configured for LH (CCW) rotation if the pinion rotation is RH (CW), or configured for RH (CW) if pinion rotation is LH (CCW).



Illustrated Parts Breakdown for T100-DP TURBOTWIN Air Starters